

ADDENDUM ONE QUESTIONS and ANSWERS

Date: December 7, 2017

To: All Bidders

From: Dianna Gilliland, Buyer
AS Materiel State Purchasing Bureau

RE: Addendum for Invitation to Bid Number 5723 OF
to be opened December 15, 2017 at 2:00 p.m. Central Time

Questions and Answers

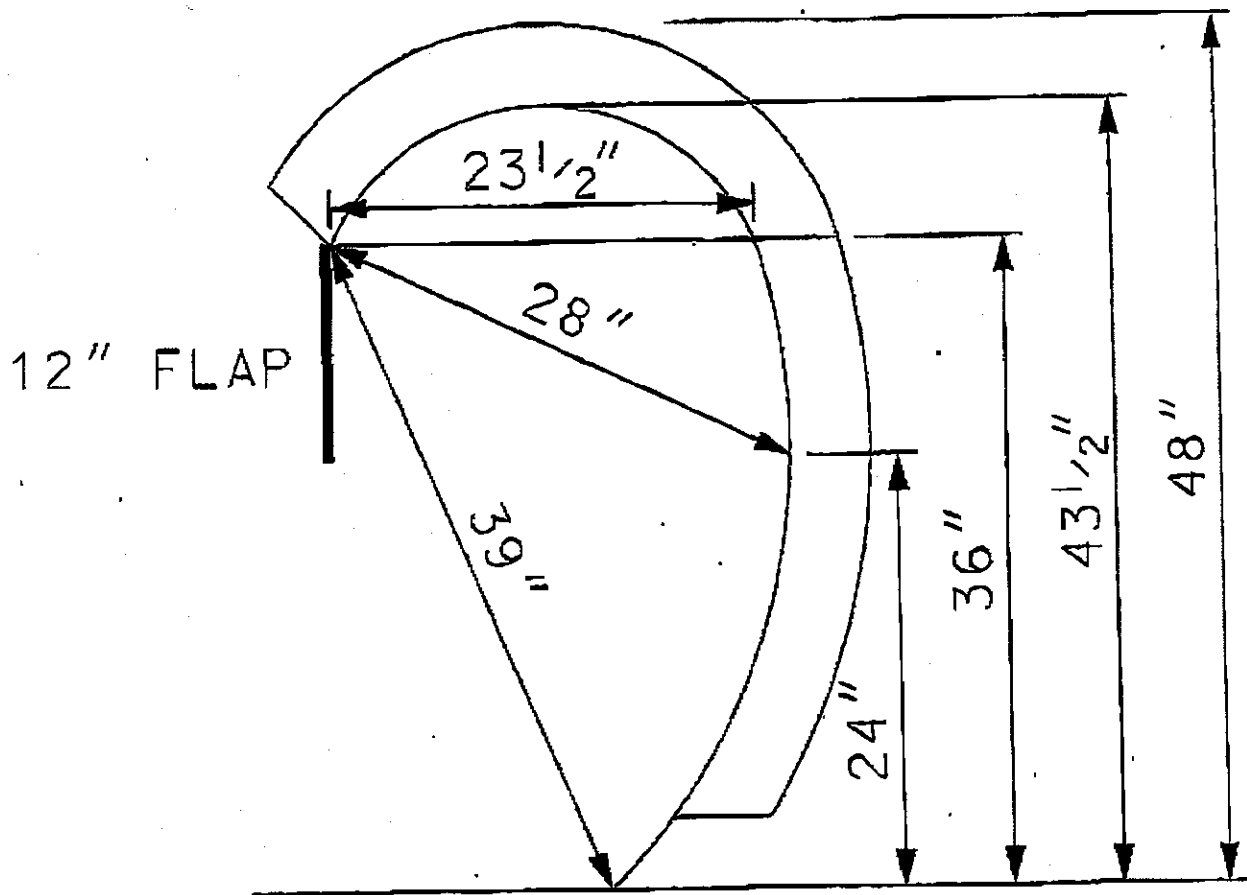
Following are the questions submitted and answers provided for the above mentioned Invitation to Bid. The questions and answers are to be considered as part of the Invitation to Bid. It is the Bidder's responsibility to check the State Purchasing Bureau website for all addenda or amendments.

<u>Question Number</u>	<u>ITB Section Reference</u>	<u>ITB Page Number</u>	<u>Question</u>	<u>State Response</u>
1.			<p>I was wondering can you send me the price that the state of Nebraska paid Wausau for the following items and the date purchased along with the number of units purchased?</p> <p>1) Hydraulically Reversible Trip Edge Snow Plow with 11' Polymer Moldboard.</p> <p>2) Hydraulically Reversible Trip Edge Snow Plow with 12' Polymer Moldboard.</p>	<p>Nebraska Department of Transportation typically purchases 20-25 plows per year between the different contracts. The plows are ordered on an as needed basis.</p> <p>No eleven foot plows were purchased last year.</p> <p>The last price paid for a 12 foot plow was \$5,526.84.</p>
2.	C.2.	26	<p>Inverted "J" design per the drawing attached. Attachment 1.</p> <p>Is the Henderson poly J plow shape acceptable? (see attached).</p>	<p>No, please comply with specifications as written.</p>
3.	C.3.A.	26	<p>Polymer sheet to have a minimum tensile strength of 7000 PSI.</p> <p>We use abrasion resistance UHMW poly with a tensile strength of 5500 PSI at 70 degrees Fahrenheit. Is this acceptable?</p>	<p>No, please comply with specifications as written.</p>
4.	C.7.A	27	<p>Springs shall be from not less than 3/4-inch square wire, having a 3-3/4 inch O.D. with fifteen active coils each</p> <p>Our springs have fourteen active coils and are adjustable. Is this acceptable?</p>	<p>No, please comply with specifications as written.</p>

<u>Question Number</u>	<u>ITB Section Reference</u>	<u>ITB Page Number</u>	<u>Question</u>	<u>State Response</u>
5.	C.7.D	27	Spring shaft shall be a solid rod. What is the OD of this rod?	Specification C.7.d. shall be rewritten as follows: Spring shaft shall be a solid rod with a 3 ½" OD.
6.	C.15	28	"All pivot points will have grease zerks or fittings." Does this include the moldboard to pushframe pivots and the pivots on both ends of the cylinders?	It does not include the moldboard to push frame pivots or the pivots on the cylinders.
7.	F.11	30	All pins for attaching push frame to moldboard must be made of stress proof steel. Our zinc plated pins are made of 1045 cold drawn material. Is this acceptable?	No, please comply with specifications as written.

This addendum will become part of the ITB and should be acknowledged with the Invitation to Bid.

Attachment 1



INVERTED "J" SNOWPLOW